



57 AMLAJACK BLVD. NEWNAN, GA 30265
1-800-935-2766
WWW.KASONIND.COM

PROJECT NAME: _____
LOCATION: _____
IDN# _____ QUANTITY: _____
CATALOG# _____

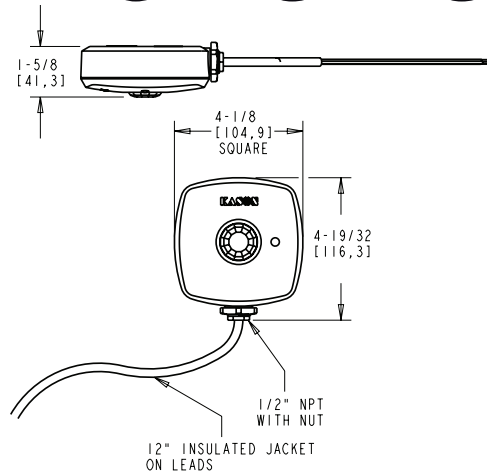
CAT NO. 1901A

LOW AND HIGH BAY MOTION SENSOR



SAVES ENERGY AND MEETS FEDERAL ENERGY REGULATIONS FOR WALK-INS

1901A MOTION SENSOR



FEATURES AND SPECIFICATIONS

- ▲ Specifically engineered for installation in Walk-in coolers and freezers.
- ▲ Uses electronic components to allow for reliable operation in extreme temperatures.
- ▲ Features a gasketed water-tight enclosure which prevents moisture and dust from entering the sensor and affecting occupancy detection.
- ▲ Operation: Passive infrared sensor detects motion and turns lights on at temperatures below freezing. Uses DIP switches to set time delay and PIR sensitivity.
- ▲ Low Bay Sensor: High density optic lens set covers a 20 ft. (7.3 m) diameter with ceiling height up to 20 ft. (6.1 m).
- ▲ High Bay Sensor: Same as the low bay sensor except with ceiling height from 20 ft. (6.1 m) to 40 ft. (12.2 m).
- ▲ Material: Polycarbonate
- ▲ Voltage: 120-277 VAC at 50/60 hz.
- ▲ Load: 120 VAC with 0-800 W ballast; 277 VAC with 0-1200 W ballast.
- ▲ Time Delay: Convenient DIP switch adjusts from 10 seconds to 20 minutes after Walk-in is exited.
- ▲ Temperature Ratings: -20° F (-28.9° C) minimum; 160° F (60° C) maximum.
- ▲ Electrical Connection: 1/2 NPT thread, 13-1/2" (342.9 mm) AWG wire.
- ▲ Mounting: Horizontal or vertical for use with all Kason light fixtures. (Mounting Kit Included)
- ▲ Safety Standards: IP65, UL-listed US and Canada for wet locations and NSF.

Model No.	Description
11901A00005	Low Bay Sensor With 1901-9 Mounting Kit
11901A00007	High Bay Sensor With 1901-9 Mounting Kit
Above Packaging: 10 per Carton, approx. 7.5 lb. (3.4 kg)	

ACCESSORIES

11810LX4000.....4' Light Fixture, LED	11809000002,3 or 4.....LED Fixture
11810LX6000..... 4' High Bay Fixture, LED	11807LW0000.....Wall Mount, LED
11808000000.....LED Fixture	11807LC0000..... Ceiling Mount, LED
11808NM0000..... Narrow Mount, LED	11806LEDGU24..... LED Jelly Jar Style (Pin) Fixture
11808FM0000..... Flat Mount, LED	11803LEDA26.....LED Jelly Jar Style (Screw In)Fixture
	91901000009.....Replacement Wall Mount Kit



UL#: E101196

APPROVALS:

DATE: